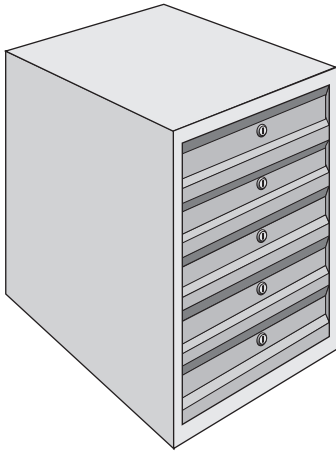


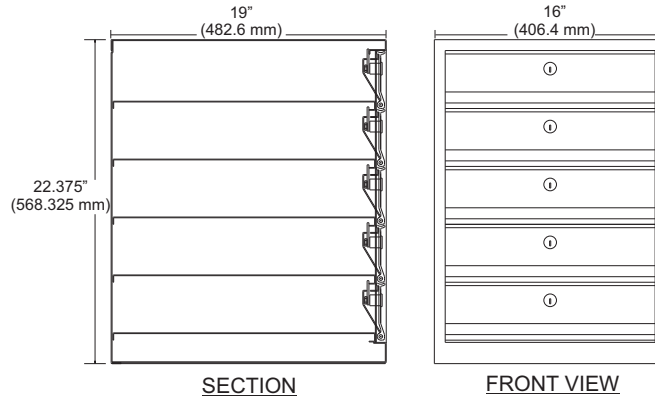
**Product ID: MKR 2040-5**



**Cash Tray Locker**

**SPECIFICATIONS:**

- each compartment secured with a key lock - individually keyed and master keyed for access override
- compartment dimensions: 13.5" wide x 17" deep x 3.25" high
- shipping weight: 80 lbs.



**APPLICATION:**

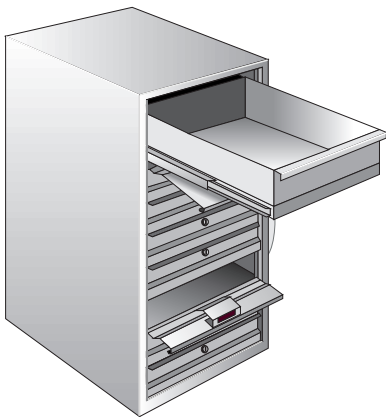
- provides secure daytime storage of cash trays and change (coin float) at a convenient store location
- limits time loss & cash safe access by employees, improving cash control

**- Security Equipment -**



**- Retail Stores -**

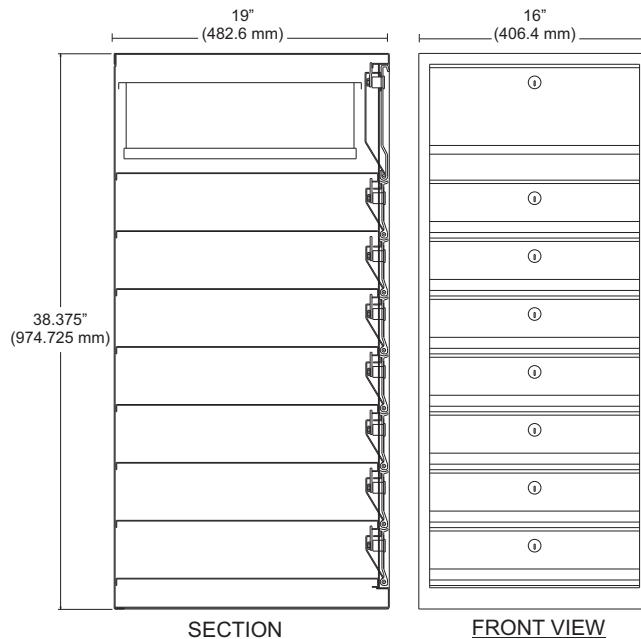
**Product ID: MKR 2040-7**



**Cash Tray Locker**

**SPECIFICATIONS:**

- each compartment secured with a key lock - individually keyed and master keyed for access override
- compartment dimensions (excluding top compartment): 13.5" wide x 17" deep x 3.25" high
- top compartment contains lift out tray for coin float storage, allows easy transport between cash safe and cash tray locker
- shipping weight: 120 lbs.



**APPLICATION:**

- provides secure daytime storage of cash trays and change (coin float) at a convenient store location
- limits time loss & cash safe access by employees, improving cash control

**Product ID: MKR 2040-9**



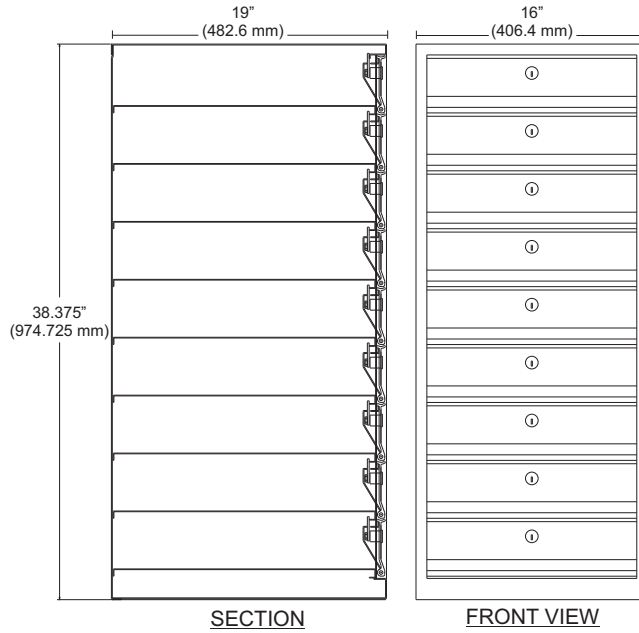
**Cash Tray Locker**

**SPECIFICATIONS:**

- each compartment secured with a key lock - individually keyed and master keyed for access override
- compartment dimensions: 13.5" wide x 17" deep x 3.25" high
- shipping weight: 120 lbs.

**APPLICATION:**

- provides secure daytime storage of cash trays and change (coin float) at a convenient store location
- limits time loss & cash safe access by employees, improving cash control



**- Security Equipment -**



**- Retail Stores -**