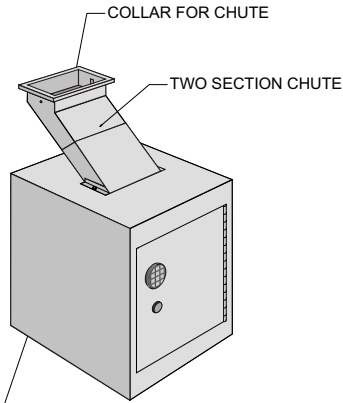


**Product ID: MKR 3035 CDS**

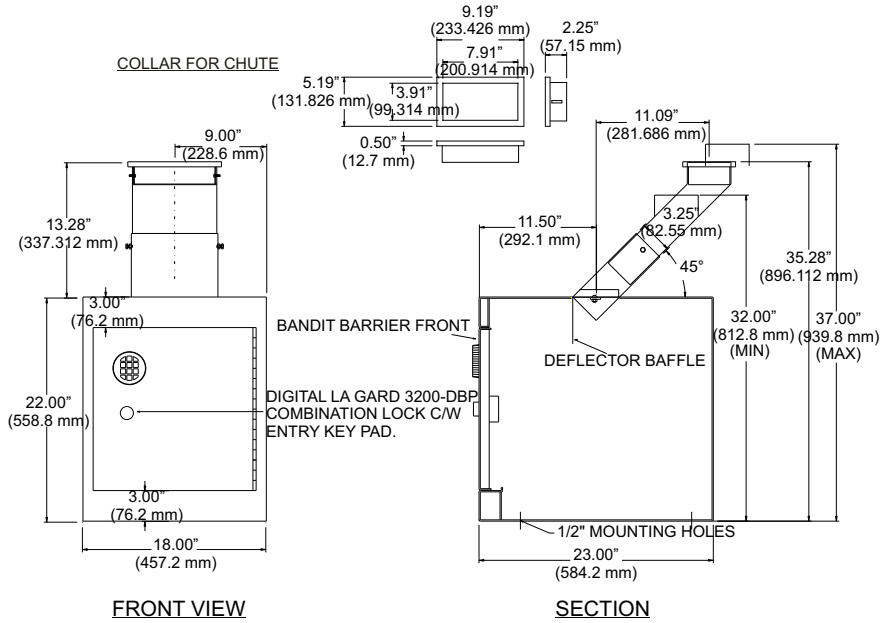


BODY MADE FROM 11Ga. STEEL PAINTED WITH A 2 COMPONENT EPOXY FINISH.

**Cash Drop Safe**

**SPECIFICATIONS:**

- bandit barrier drop compartment secured by digital combination lock - can be programmed for single or dual custody control
- straight or angled deposit chute
- continuous door hinge
- optional collar for chute can be painted steel or stainless steel with hinged flap



**APPLICATION:**

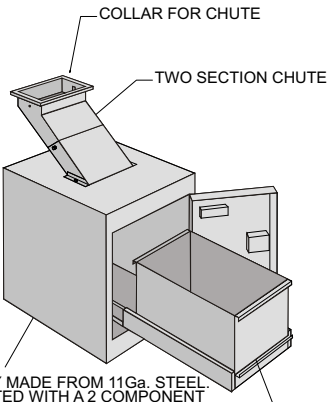
- easily secure excess cash and reduce the risk of burglary
- deposit chute allows the unit to be out of site or enclosed within a counter space

*- Security Equipment -*



*- Financial Institutions -*

**Product ID: MKR 3036 CDS**



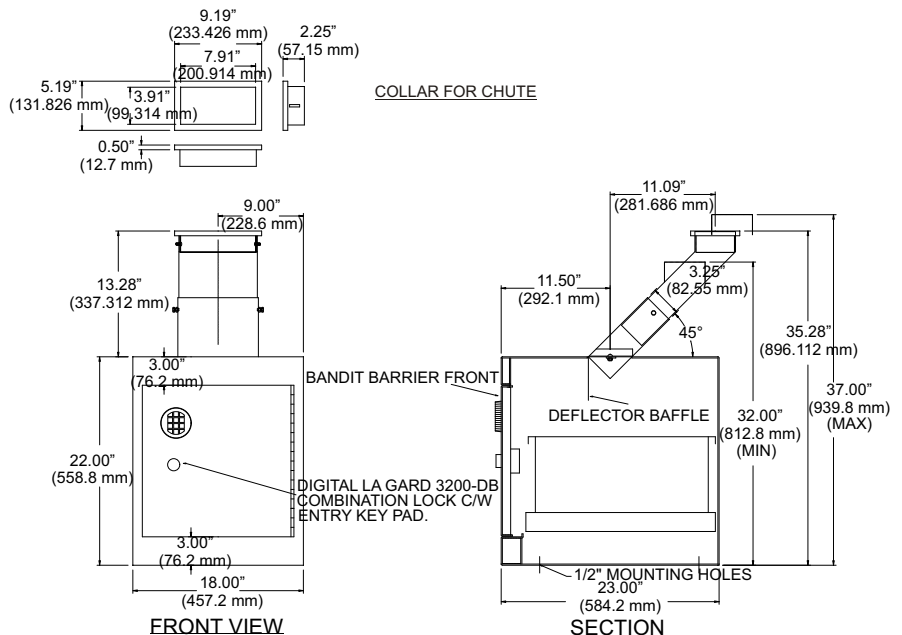
BODY MADE FROM 11Ga. STEEL PAINTED WITH A 2 COMPONENT EPOXY FINISH.

PULL-OUT TRAY WITH LIFT-OUT BIN

**Cash Drop Safe**

**SPECIFICATIONS:**

- bandit barrier drop compartment secured by digital combination lock - can be programmed for single or dual custody control
- straight or angled deposit chute
- continuous door hinge
- pull-out tray with lift-out bin on full extension slides
- optional collar for chute can be painted steel or stainless steel with hinged flap



**APPLICATION:**

- easily secure excess cash and reduce the risk of burglary
- deposit chute allows the unit to be out of site or enclosed within a counter space
- pull-out tray provides easy access to contents inside